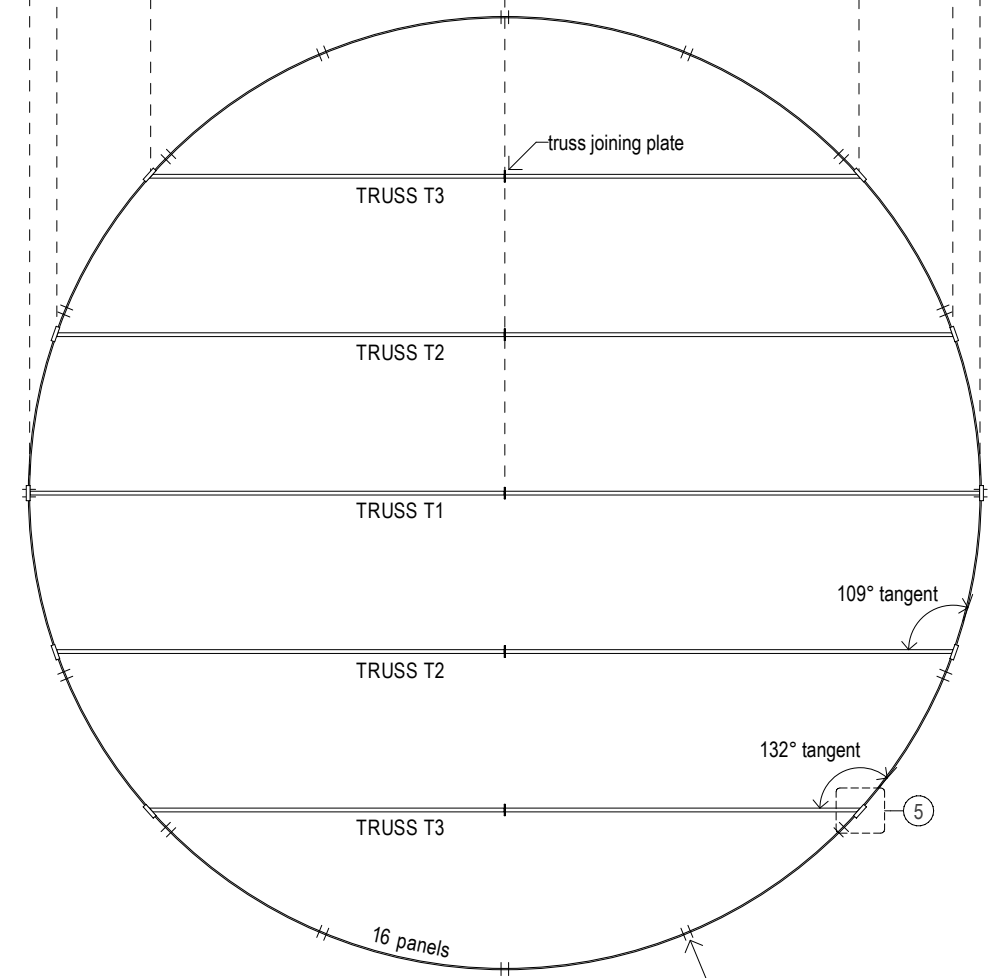
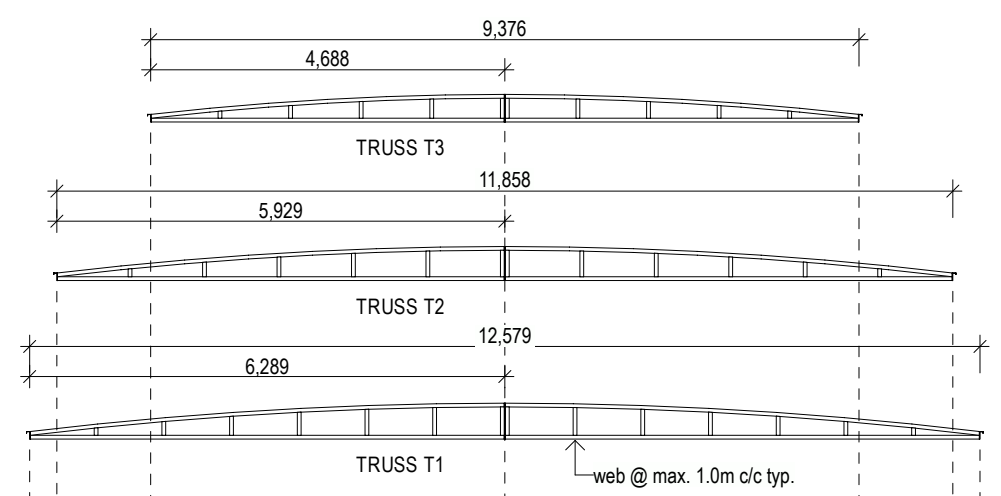


**DESIGN CRITERIA**

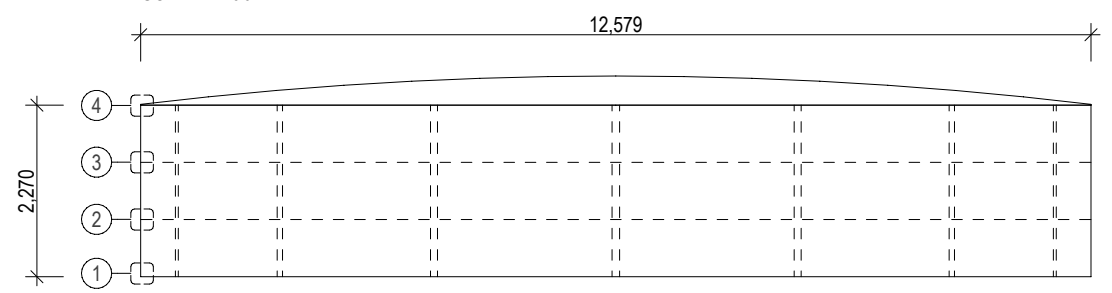
AS/NZS 1170.2, 2021 (WIND ACTIONS)  
 REGION A & B  
 TERRAIN CATEGORY 2  
 IMPORTANCE LEVEL 2

**TRUSS SCHEDULE**

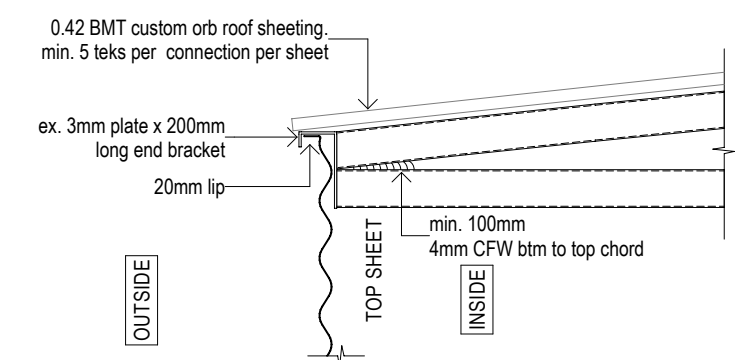
ELEMENT	DESCRIPTION	
	REGION 'A'	REGION 'B'
TOP CHORD	50 x 1.6 SHS	50 x 2.0 SHS
BTM CHORD	50 x 1.6 SHS	50 x 2.0 SHS
WEB	30 x 3 EA	30 x 3 EA
TRUSS END	4 - 10g TEKS	4 - 10g TEKS



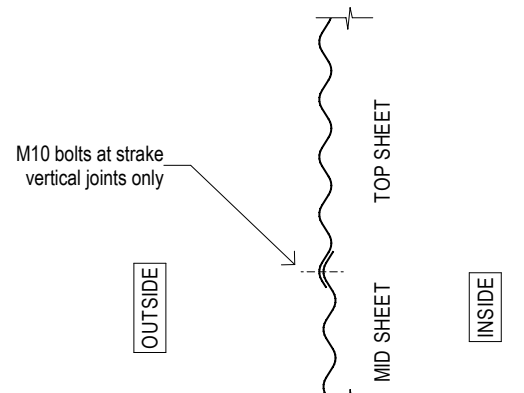
**MT282 - PLAN VIEW**  
 12,579mm Diameter Tank x 2,270mm high  
 SCALE 1:100



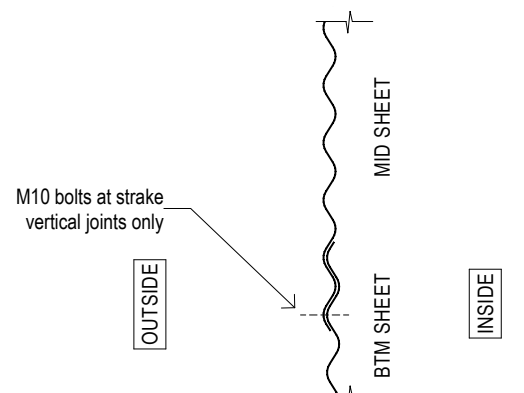
**MT282 - ELEVATION**  
 SCALE 1:100



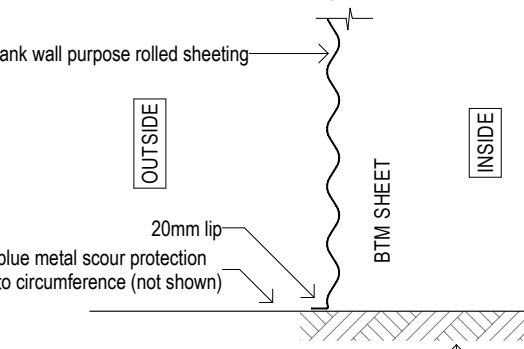
**DETAIL 4** SCALE 1:10



**DETAIL 3** SCALE 1:10

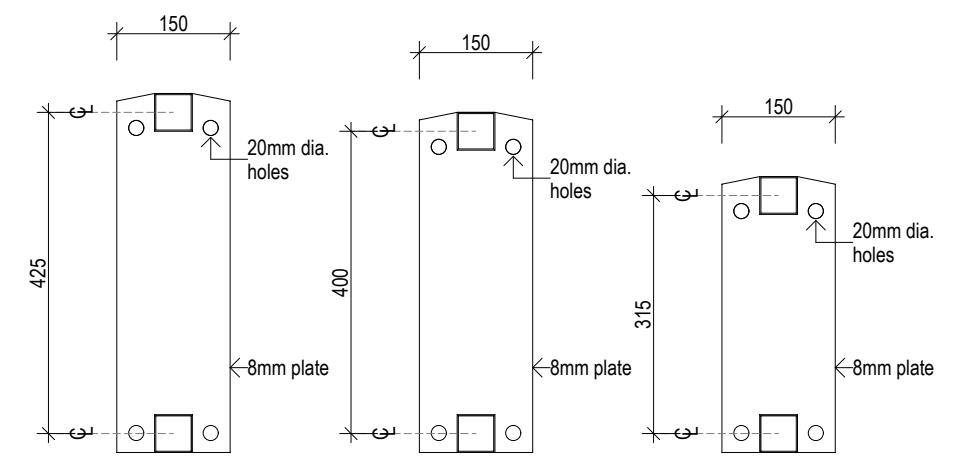


**DETAIL 2** SCALE 1:10

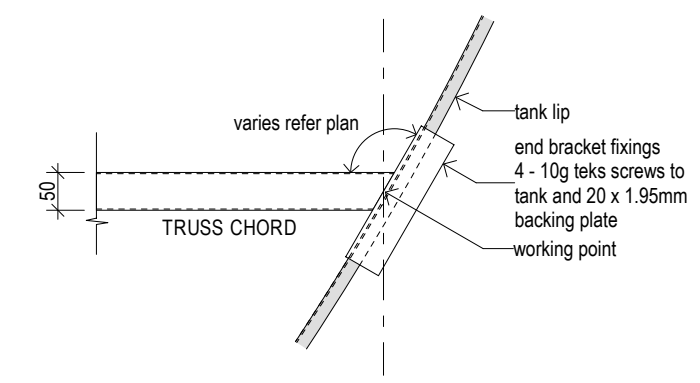


**DETAIL 1** SCALE 1:10

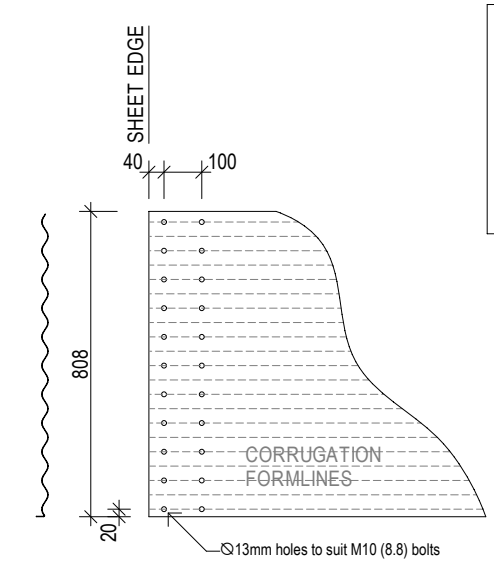
tank base restraint & pad preparation in accordance with tank manufacturers specification fix to suitable foundation, slab or tie down system



**TRUSS JOINING PLATE** SCALE 1:10



**DETAIL 5** SCALE 1:10



**TYPICAL BOLTING ARRANGEMENT** SCALE 1:20

- NOTES**
1. WALL SHEET STEEL GRADE G300
  2. ROOF SHEETING 0.42 'CUSTOM ORB' MIN 5 TEKS PER CONNECTION PER SHEET & EQUIVALENT SPACING CIRCUMFERENTIAL FIXING TO TOP OF TANK
  3. ROOF SHEETING TO BE SIDE LAP FASTENED AT MAX. 1.0m C/C
  4. ALL BOLTS GRADE M10 (8.8) GALV.
  5. ROOF TRUSS STEEL GRADE C350
  6. MIN. FILLET WELD SIZE OF 4mm



Client	Scale <b>AS SHOWN @ A3</b>	Date <b>25/8/23</b>	Drawn By
Drawing Title <b>MT282 - 282,000 LITRE TANK</b>	Project No.	Drawing No.	Issue No.